



Quick Connect Cables

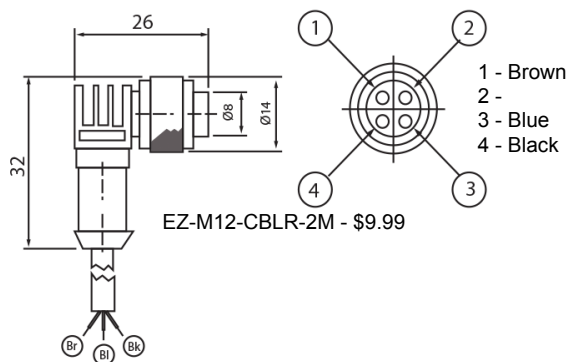


Available Quick Connect cables include:

- Industry standard M8 and M12 screw-lock connectors
- One male and one female connector
- Axial and right-angle connector models
- 2m cable lengths
- PVC (polyvinyl chloride) jacket for typical industrial applications
- IP67 rate

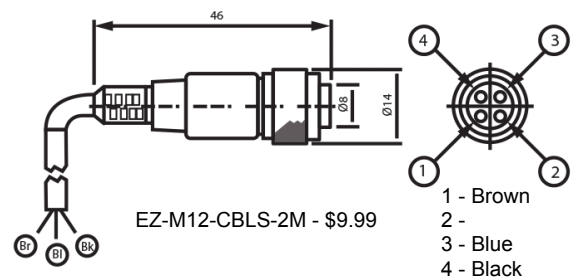
Right Angle Connector

2Mtr. (6.5ft.), 4.8mm (0.189") thick,
Black, Suitable for M12 Universal Male Connector



Straight Connector

2Mtr. (6.5ft.), 4.8mm (0.189") thick,
Black color, Suitable for M12 Universal Male Connector



Description
EZ PROX CBL, M12 Conn, Right Ang, NB
EZ PROX CBL, M8, Straight, NB
EZ PROX CBL, M12 Conn, Straight, NB
EZ PROX CBL, M8, Right Ang, NB
EZ PROX CBL, M8, Straight, SS
EZ PROX CBL, M12, Straight, SS
EZ PROX CBL, M12, Right Ang, SS
EZ PROX CBL, M8, Right Ang, SS