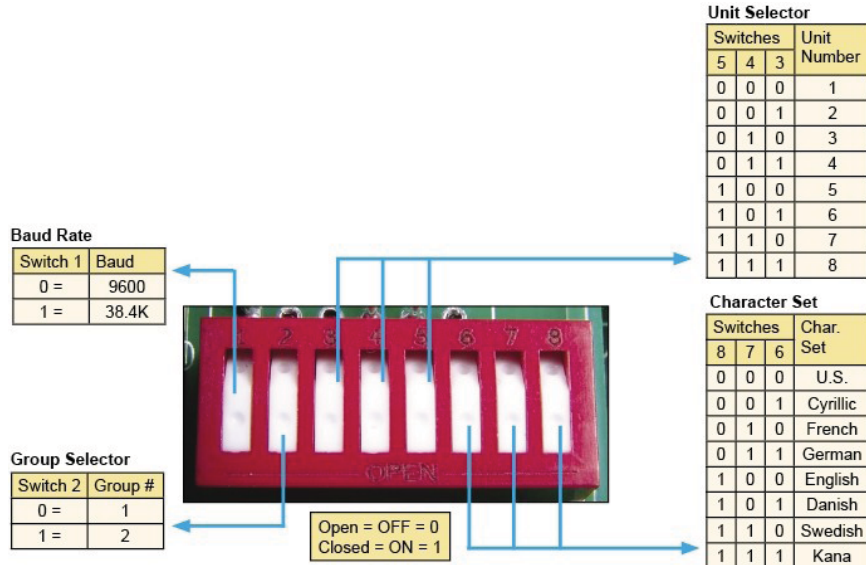
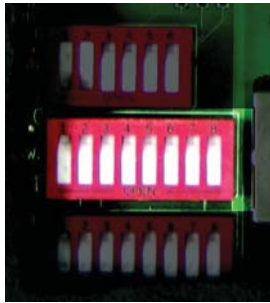


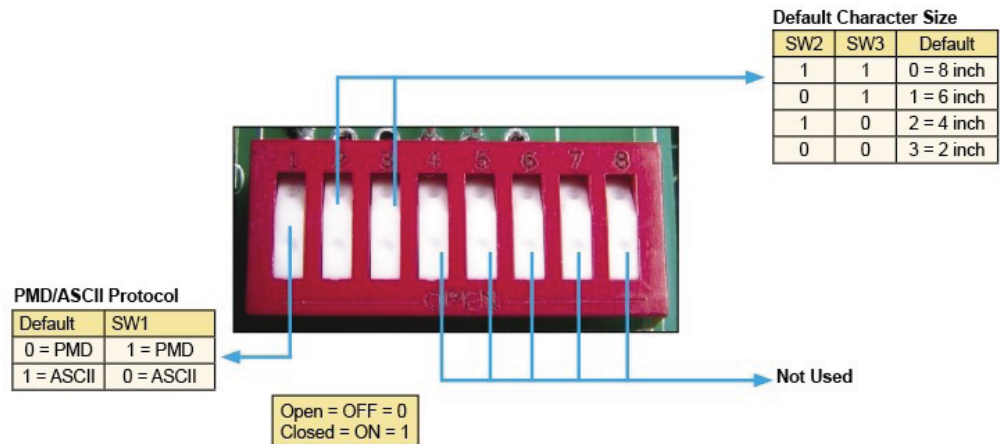
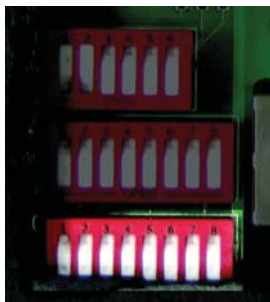
3.2.4 Setting Up DIP Switch 2

The diagram below illustrates how to set up DIP Switch 2:



3.2.5 Setting Up DIP Switch 3

The diagram below illustrates how to set up DIP Switch 3:



3.3 Serial Communications Ports

3.3.1 Connect to PC

Connect your PC's serial port to the RS232 port using the programming cable.

1. Connect the 9-pin terminal of the RS-232 cable to the computer.
2. Wire the other three flying ends of the RS-232 cable to the ToughMarquee as shown in the figure below: